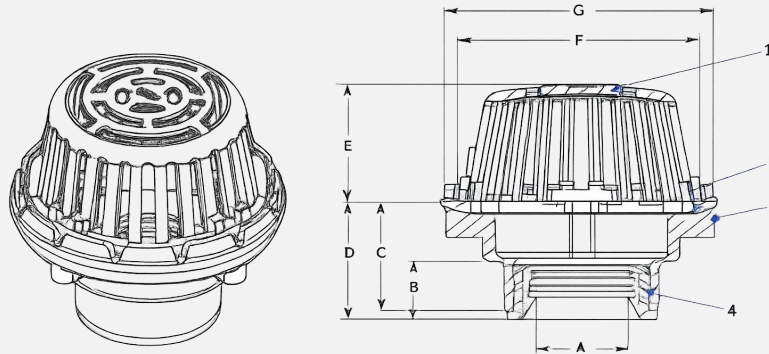


ROOF DRAIN CAST IRON BODY WITH 8" CAST IRON DOME  
MODEL NO: **R2108-CC**



- ✓ **PRODUCT DESCRIPTION: Epoxy Coated Cast Iron Body Roof Drains with 8" [212mm] diameter Cast Iron Dome. Combination membrane clamping collar with Inside Gasket outlet Connection.**
- ✓ **CRITICAL TO QUALITY (CTQ) DIMENSION :**

DIMENSION	DESCRIPTION	DIMENSION IN INCHES {mm}		
		2	3	4
A	PIPE SIZE	2 (49)	3 (73)	4 (103)
B	GASKET HEIGHT	1-3/4 (45)	1-15/16 (50)	1-3/4 (45)
C	C.I BODY HEIGHT	3-7/8 (98)	3-7/8 (98)	3-7/8 (98)
D	C.I BODY HEIGHT WITH GASKET	4-3/16 (106)	4-3/16 (106)	4-3/16 (106)
E	DOME WITH CLAMP HEIGHT	4-1/2 (114)	4-1/2 (114)	4-1/2 (114)
F	DOME DIAMETER	7-1/2 (191)	7-1/2 (191)	7-1/2 (191)
G	C.I BODY DIAMETER	8-3/8 (212)	8-3/8 (212)	8-3/8 (212)
DOME OPEN AREA Sq. In. [cm <sup>2</sup> ]		43 (277)		
OUTLET TYPE		INSIDE GASKET		

✓ **LIST OF COMPONENTS :**

COMPONENT	DESCRIPTION
1	CAST IRON DOME
2	CAST IRON CLAMPLING COLLAR
3	CAST IRON BODY
4	NEO LOC GASKET
5	GI HEX BOLT 10X25
6	GI PLATE WASHER ID 11.3 X OD 25.7 X 2.5MM THICK