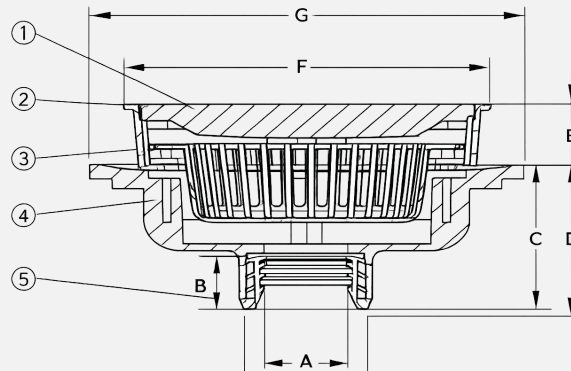


AREA DRAIN / PARKING DRAIN WITH 12" SQUARE TOP HEAVY DUTY
MODEL NO: **R3312**



- ✓ **PRODUCT DESCRIPTION:** Epoxy Coated Cast Iron Body Area Drain/Parking drain with 12" (305mm) Heavy Duty Cast Iron Square top grating. Cast Iron Frame for Grating, Seepage pan and Combination membrane flashing clamp, with suspended polypropylene sediment bucket.

✓ **CRITICAL TO QUALITY (CTQ) DIMENSION :**

| DIMENSION | DESCRIPTION | DIMENSION IN INCHES {mm} | |
|--|-----------------------------|--------------------------|--------------|
| | | 3 | 4 |
| A | PIPE SIZE | 3 (73) | 4 (103) |
| B | GASKET HEIGHT | 1-15/16 (50) | 1-3/4 (45) |
| C | C.I BODY HEIGHT | 5-1/4 (133) | 5-1/4 (133) |
| D | C.I BODY HEIGHT WITH GASKET | 5-9/16 (141) | 5-9/16 (141) |
| E | FRAME HEIGHT | 2-1/2 (64) | 2-1/2 (64) |
| F | SQUARE FRAME TOP SIZE | 12-1/2 (318) | 12-1/2 (318) |
| G | C.I BODY OUTER DIAMETER | 15 (381) | 15 (381) |
| GRATE OPEN AREA Sq. In. (cm ²) | | 42 (271) | |
| OUTLET TYPE | | INSIDE GASKET | |

✓ **LIST OF COMPONENTS :**

| COMPONENT | DESCRIPTION |
|-----------|---|
| 1 | SQUARE HEAVY DUTY D.I GRATE |
| 2 | SQUARE HEAVY DUTY D.I FRAME |
| 3 | SUSPENDED POLYPROPYLENE SEDIMENT BUCKET |
| 4 | CAST IRON BODY |
| 5 | NEO LOC GASKET |
| 6 | GI HT FLANGE HEX HEAD BOLT 10MM X 32MM |